

GLC Coupé



Mercedes-Benz



More than an SUV.
More than a coupé.
More than ever before.

Some personalities immediately make their mark. With their appearance. Their self-assurance. And their unique character. Much like the new GLC Coupé, which combines the merits of an SUV and a coupé like no other. In a style all of its own. More dynamic and sportier than ever.






Because communication
is everything today.

The new GLC Coupé doesn't just listen to what you say, it also responds immediately to your touches and gestures – courtesy of MBUX, the sophisticated Mercedes-Benz User Experience with a wealth of new control and display features. Like the large media display with touch function or the fully digital instrument cluster with navigation display.



Something special.
On every trip, from any angle.

More sporty than ever, the new GLC Coupé really catches the eye. With wider aprons, new tailpipe trims, and LED High Performance headlamps sporting a cutting-edge light design fitted as standard for the first time. The optional AMG Line and a host of new wheel designs take its unique sporty and elegant character to the highest level.

A high-angle, close-up view of the front interior of a luxury car. The image shows the driver's seat on the left, the steering wheel, and the dashboard. The interior is finished with dark leather and features a large, illuminated center console with a gear shifter. The dashboard has a large digital display and three circular air vents. The car's exterior is a vibrant red, visible at the top right. The overall atmosphere is one of modern elegance and sophisticated design.

Take a seat and enjoy the view.

An exceptionally sporty and refined interior welcomes you on board. Large displays, smooth transitions and the finest new upholstery let you experience modern luxury with all the senses. Optional ENERGIZING packages give you new strength and energy while the optional Burmester® surround sound system indulges you with top-class sound.

The rear end: the start of something new.

The new GLC Coupé's rear end is eye-catchingly athletic and sporty. Powerful contours combine here with sensual, pure lines to dynamic effect. The impressive apron, the stylish chrome elements and the tailpipe trims integrated in the bumper all stand out here. The slender LED tail lights with cutting-edge light design are particularly striking.



Sit in an SUV.
Drive a sports coupé.

Every metre and every second become a sporting event in the new GLC Coupé. You can make it even more agile with the optional DYNAMIC BODY CONTROL suspension, which lets you individualise the vehicle's damping and handling characteristics. At the touch of a button, for a noticeably more comfortable or more dynamic driving experience. Three options are available for this: "Comfort", "Sport" and "Sport+".





Energising comfort and exemplary safety.

During rush hour, on long drives at night, or on unfamiliar routes – your new GLC Coupé noticeably takes the strain out of driving, particularly in stressful situations. It's all down to a concept that makes every journey in a Mercedes-Benz a safer and unique experience: Mercedes-Benz Intelligent Drive. Because the time you spend behind the wheel is your time. Time for relaxation. Time to replenish your energy. So that, first and foremost, you reach your destination safely, but are also relaxed when you get there.



EQUIPMENT HIGHLIGHTS – DRIVING ASSISTANCE SYSTEMS

Driving Assistance package. Hit the road to autonomous driving: state-of-the-art systems assist you in many situations: adjusting the speed, steering, changing lanes, and even when there is a risk of a collision. The risk of an accident is reduced – passengers and road users are protected effectively. This way you are able to reach your destination relaxed and safe.

The innovative **PRE-SAFE® Sound** system generates a sound signal through the loudspeakers that can trigger a protective reflex: your auditory system briefly disconnects, thereby protecting itself from the loud noise of a crash.

Parking package with 360° camera. Almost like having a valet on board. Active Parking Assist with 360° camera makes it easier for you to find a parking space and to manoeuvre into and out of parking spaces. Here the choice is yours: park with ease yourself thanks to all-round visibility – or make things even easier still by getting the car to park for you.



Mercedes-Benz User Experience.

In the new GLC Coupé, you can now control almost everything as intuitively as you do on your smartphone. Simply by using the large touchscreen, the new touchpad, or the Touch Control buttons on the new steering wheel. One touch is all it takes to adjust the display style, the ambient lighting, or the infotainment to meet your needs.

EQUIPMENT HIGHLIGHTS – CONTROL AND DISPLAY CONVENIENCE

MBUX Augmented Reality for Navigation networks the virtual world with the real world to help you get your bearings in complex traffic situations. The technology incorporates graphical navigation instructions and traffic information into live images. You can get to your destination quickly, safely and stress-free.

With the **MBUX voice control** option, the new GLC Coupé not only listens to you, it hangs on your every word and talks to you. You can converse with your car in a perfectly natural manner to adjust and control virtually all the functions in the car. Simply say “Hey Mercedes”, and the new GLC Coupé will be all ears.

MBUX Interior Assistant. Enjoy touchless ease of operation: this innovative system records and interprets your hand and arm movements, meaning that you can activate certain functions in next to no time. The system is able to distinguish between driver and front passenger – so you can access exactly the menus you want.



Fully digital instrument cluster.

The fully digital instrument display with the display styles “Classic”, “Progressive” and “Sporty” enables you to decide which information is important to you and in which way you wish to have it displayed. The 31.2 cm (12.3-inch) display delivers a pin-sharp image which is very easy to read in all light conditions.



Burmester® surround sound system.

With the optional Burmester® surround sound system your new GLC Coupé becomes a concert hall. 13 high-performance speakers, a 9-channel DSP amplifier, a total system output of 590 W, and electronic and acoustic elements tailored precisely to the interior conjure up a unique sound. The surround function and the sound optimisation for the front and rear seats provide an even more intensive listening experience.



MULTIBEAM LED headlamps.

Perfect visibility for you: the adaptive MULTIBEAM LED headlamps have individually controllable LEDs that react to the traffic situation. Partial main beam shines past other road users without dazzling them. ULTRA RANGE main beam increases the range to the permitted maximum. The Active Light System and cornering lights further optimise illumination of the way ahead.



Sporty wheel design.

There's no stopping the new GLC Coupé – it is forever evolving. An even broader range of exclusive wheels is now available, offering a host of new rim designs. From 45.7 cm (18 inches) to 50.8 cm (20 inches), from elegant to sporty: the choice is yours.

Standard equipment and appointments.

A stylish exterior already comes as standard, including exclusive design features in chrome and attractive light-alloy wheels. The visible, chrome-plated tailpipe trims emphasise the vehicle's dynamic look.

The EXCLUSIVE interior equipment line.

The EXCLUSIVE interior allows you to show what matters to you: the utmost in elegance and top-class quality down to the most minute detail. The luxurious highlights and the refined ambience of your interior, including exclusively designed seats and a high-quality dashboard trim, will continue to delight each day.

The AMG Line.

The expressive AMG Line styling lends the exterior a sporty, exclusive touch – your clear statement for powerful design. On top of this, the technical features give palpably more fun at the wheel, since the agile configuration of the sports suspension with Sports Direct-Steer makes the handling noticeably dynamic.

The Night package.

The Night package adds attractive touches: many of the exterior features are finished in black. They underscore the sporty character and special individuality of your vehicle, enabling you to demonstrate your sense of expressive design and exclusive sportiness.





DYNAMIC BODY CONTROL.

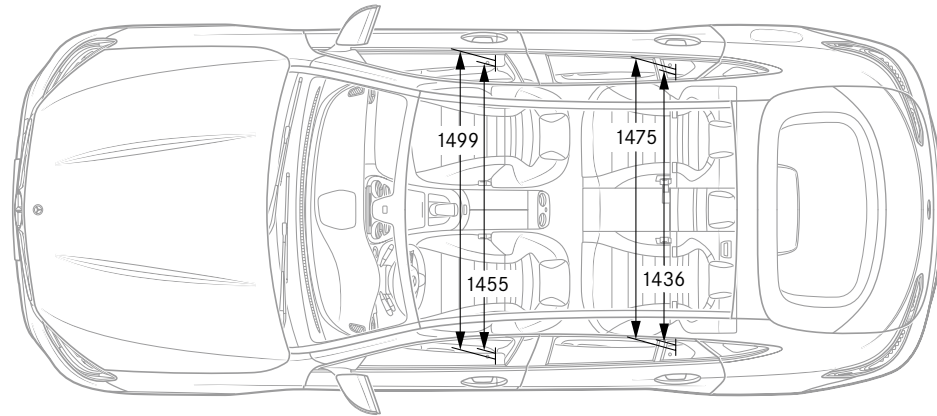
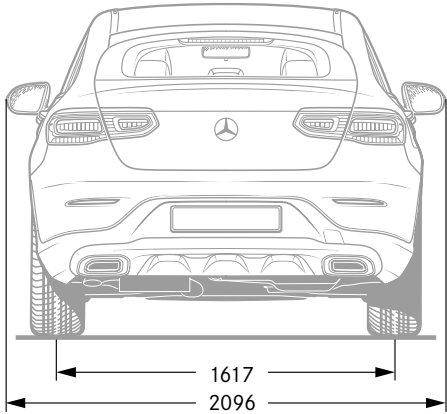
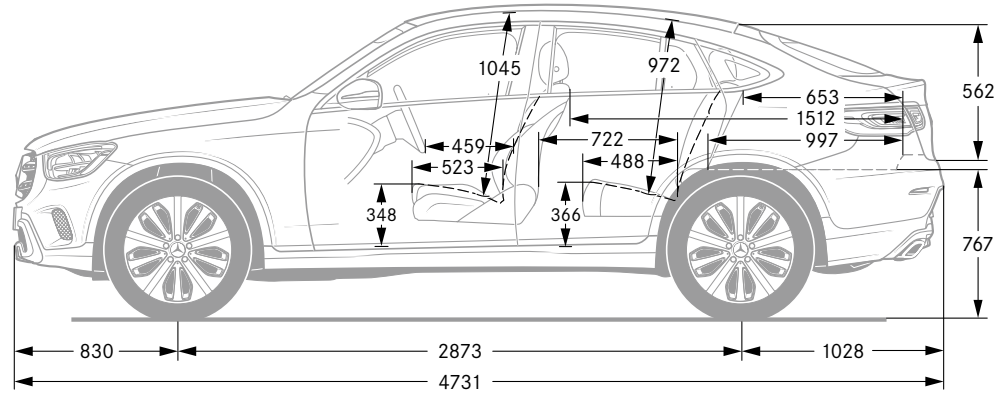
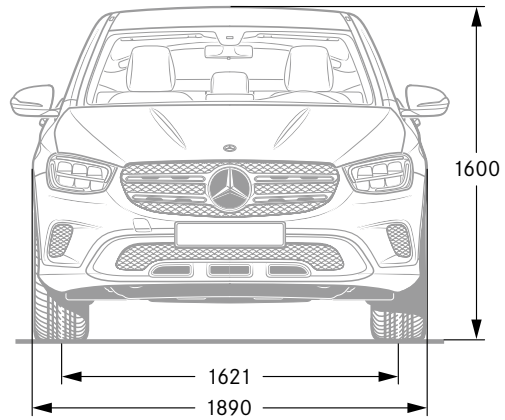
With the optional DYNAMIC BODY CONTROL suspension you can adapt the new GLC Coupé's damping and handling characteristics to your individual needs. At touch of a button, for a noticeably more comfortable or more dynamic driving experience. Three options are available for this: "Comfort", "Sport" and "Sport+". According to whether you are looking for particularly comfortable, sporty or extra sporty handling. The damping is continuously variable and is adjusted individually for each wheel. For even better driving safety and ride comfort.



4MATIC all-wheel drive.

On tarmac or light off-road terrain: 4MATIC lets the new GLC Coupé show its impressive strength in adverse weather conditions such as rain, black ice or snow. Thanks to the interplay between the individual wheels, the permanent all-wheel drive is able to ensure exemplary driving stability and traction at all times. For greater dynamism, comfort and safety overall.

Dimensions.



All figures in millimetres. The illustrated dimensions are mean values. They are valid for vehicles in basic specification and in unladen condition.