

GLA



Mercedes-Benz



City. Cross-City.

As much on the go as you. The new GLA is the ultimate companion for a versatile life.





Turns every zone into
a comfort zone.

The new GLA is equipped with everything that makes your drive even more pleasant. The interior combines sense of space, sportiness and materials at the highest level. As a result, the new compact SUV is more functional than ever before and always adapts to your needs.



Sporty from every perspective.

The progressive design gives the compact SUV dynamism and elegance, further boosted by the emphasis on surfaces.



Nice to meet you.

You can talk to MBUX any time: the multimedia system from Mercedes-Benz is innovative, intuitive and intelligent. And connects you with your digital world.

Just climb aboard,

and the new GLA will support you in every situation. From the safety assistants to the operating system, which gets to know you better each time you interact with it. It adapts to your lifestyle and equally to the terrain in which you drive. Arrange a test drive now and get to know the new Mercedes-Benz GLA personally.





Ambient lighting.

Showcase the interior according to your personal preferences or current mood. The 64 colours of the ambient lighting create fascinating colour schemes, for example in the illuminated air vents, doors or the dashboard.

Ease of operation.

Revolutionary voice control, cutting-edge operating convenience and a new level of personalisation make the new GLA the state of the art. Operating a car has never felt so natural.



Widescreen Cockpit.

Keeping an eye on everything. The Widescreen Cockpit in the new GLA applies sharp definition to present information in a pleasantly clear manner. For simple and swift navigation through your car's menus.

Head-up display.

The best outlook for sporty driving enjoyment and an assured driving experience: the head-up display transforms your windscreen into a stunning digital cockpit. This means you always have a direct view of key information. Your full attention remains on the road and the traffic conditions in front of you.



Generous space concept.

Life needs space. The new GLA is well thought-out in every detail and offers even more functionality for any occasion.



MULTIBEAM LED.

Perfect visibility for you: the adaptive MULTIBEAM LED headlamps with individually controllable LEDs react to the traffic situation. Partial main beam masks out other road users without dazzling them. And the cornering light and active light functions illuminate the field of vision optimally so that you can detect hazards sooner.

50.8 cm (20-inch) AMG light-alloy wheels.

Self-assured. On and off the road. On 50.8 cm (20-inch) AMG light-alloy wheels, the new GLA is equally at home in the mountains or in the city.



Fore-/aft-adjustable second seat row.

Grows with your needs. The fore-/aft-adjustable second seat row.

Standard equipment and appointments.

Expressive, signature SUV design meets trailblazing technologies – and already in standard specification: the Mercedes GLA will thrill you immediately, for example, with the MBUX multimedia system or the seats trimmed with ARTICO man-made leather. Sophisticated driving assistance systems, such as Active Brake Assist, underscore the high standard of safety.

The Style design and equipment line.

With the Style design and equipment line your vehicle stands out from the standard equipment – with a high-quality appearance both inside and out. This includes additional features such as the specific and aerodynamically optimised 17-inch light-alloy wheels plus upholsteries and topstitching which are exclusive to the line.

The Progressive design and equipment line.

The Progressive design and equipment line substantially enhances your car. Added value you can see and feel. Enjoy high-quality technology and experience the unique, expressive SUV lifestyle. In addition, the line opens up further attractive combinations both inside and out – for example with the Leather package and Night package.

The AMG Line.

The AMG Line reinforces your vehicle's attractive sporty appearance both on the exterior and in the interior. The AMG bodystyling with AMG rear apron in a diffuser look and the diamond radiator grille, in particular, are exclusive features. The sports seats impress with optimal seating comfort behind the sports steering wheel finished in fine nappa leather and featuring a flattened bottom section.





DYNAMIC SELECT.

Just drive as you want to. At the press of a button, DYNAMIC SELECT offers different drive programs with setting options for the engine, transmission, chassis and steering, for instance. In “Sport” mode, the vehicle is more dynamic and in the basic “Comfort” mode its set-up is very balanced. “ECO”, on the other hand, places the emphasis on maximum efficiency and saves fuel and money.



4MATIC.

The new GLA roams free: the enhanced 4MATIC permanent all-wheel drive ensures the necessary traction, whatever the terrain or road conditions. Including snow or loose surfaces. This provides the new GLA with its outstanding off-road performance.

Not an SUV. An AMG.

Every Mercedes-AMG is a masterpiece in its own right, with an unmistakable character. What unites our performance vehicles and sports cars is their irrepressible sporting spirit. Their passion for top performance. It is generated at the point where engineering skill meets a very special attitude: the spirit of AMG. We believe that you have to keep on challenging limits in order to achieve new goals. We accept nothing as a given. Because limits are imposed by people, and it's also people who can overcome them. It's this attitude that enables us to achieve outstanding performance for the race track – and for the road.

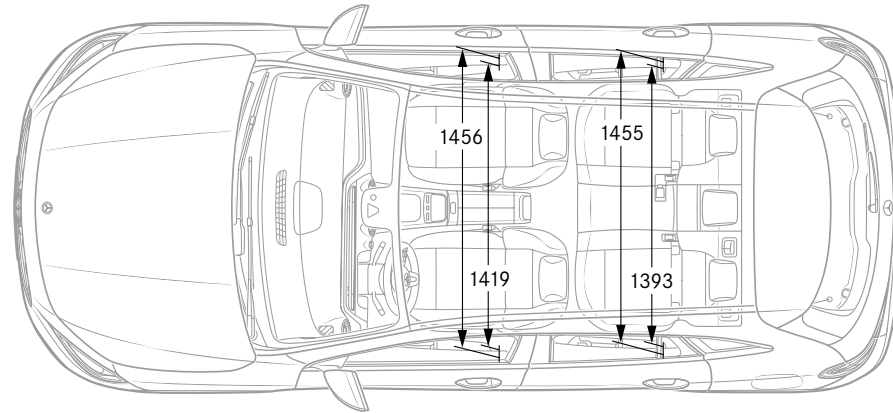
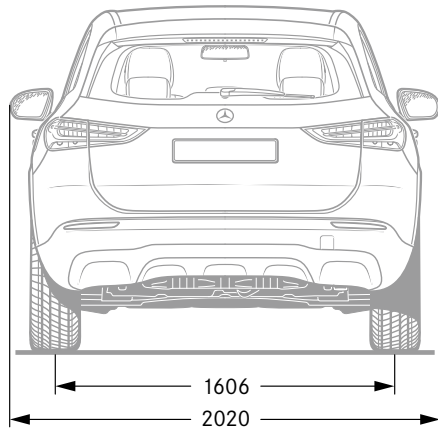
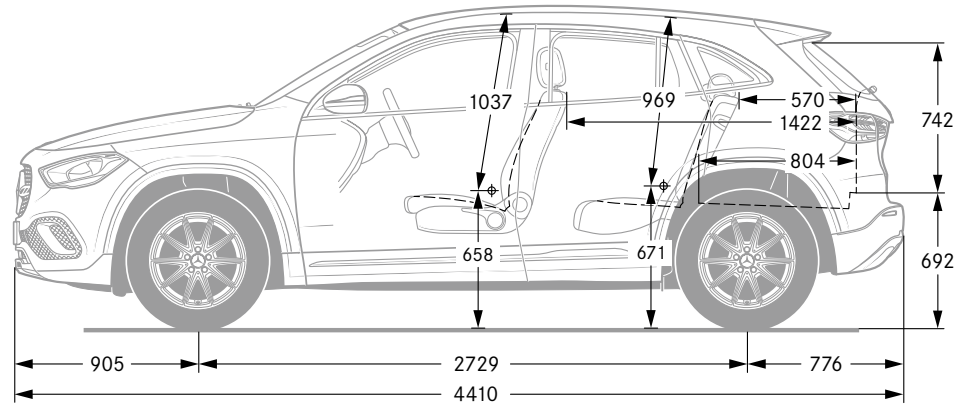
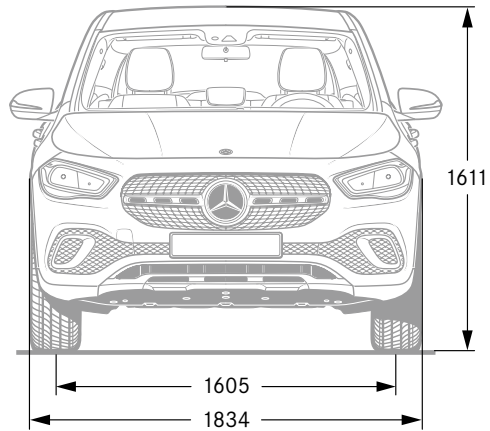
Welcome to the world of AMG.

www.mercedes-amg.com

AMG
DRIVING PERFORMANCE



Dimensions.



All figures in millimetres. The illustrated dimensions are mean values. They are valid for vehicles in basic specification and in unladen condition.