

# The CLA Coupé



Mercedes-Benz



## Everything that makes you special.

New around town and all set to make a lasting impression. The design makes you stand out. The performance puts you in the fast lane. The interface speaks your language. Welcome to your new CLA Coupé.





## Strikingly self-assured.

Progressive dynamism from the bonnet to the rear. The slope of the front hints at a forceful personality. Frameless doors underscore the unfettered coupé character. Its muscular shoulders and broad rear turn heads.



## Good to meet you.

Welcome to MBUX (Mercedes-Benz User Experience). You can communicate with the new CLA Coupé now as you would with a friend. It's all done with natural language, by touch or with intuitive gestures and even in augmented reality. With the help of artificial intelligence, the system is able to learn from you, advise you and remember your preferences.



The new CLA.  
Play by your rules.



## When it comes to safety, the new CLA is suddenly very down to earth.

All together and all for you. The Driving Assistance packages combine the assistance systems with the safety systems. This means that hazards can be recognised in good time, warnings displayed and, in an emergency, braking manoeuvres initiated.



## Ready to make yourself at home?

The displays in the new Mercedes-Benz CLA Coupé are designed for your wellbeing. Everything can be set up the way you want to see it. The pleasant wrap-around design with ambient lighting ensures flowing transitions. Luxury that you can feel comes courtesy of the heated steering wheel and the state-of-the-art Widescreen Cockpit with touchscreen.

## Sport needs rules. Play by your own.

You decide on the set-up, just by pressing a few buttons. Even the shock absorbers are adjustable to your wishes. The dynamic coupé lines, incidentally, don't only look magnificent, but also offer extremely little resistance to the wind. This reduces fuel consumption and noise, while enhancing driving stability.





## ENERGIZING packages.

In better form at the end of your journey than when you set off? That's what happens with the ingenious ENERGIZING packages. Depending on the precise specification, a range of comfort systems are linked to create individual programmes. Light mood, music and optional massage seats, for example.



## MBUX Interior Assistant.

The MBUX Interior Assistant allows the intuitive and touchless operation of a whole range of comfort and MBUX functions. A camera in the overhead control unit captures the movement of hands and arms in the area of the touchscreen or touchpad and adapts the presentation on the media display to reflect the configuration indicated.



## Head-up Display.

The driver's undivided attention remains on the road and the current traffic conditions, because the head-up display projects key information in front of the windscreen. This is less tiring on the eyes, as they are not constantly having to switch between near and far.



## Smartphone Integration package.

Smartphone Integration connects the mobile phone with the media system via Apple® CarPlay® and Android Auto®, thereby giving convenient access to the most important applications on the smartphone. Apps from third-party service providers such as Spotify are likewise quick and easy to use.





## Ambient lighting.

Showcases the interior according to your personal preferences or current mood. With 64 colours, the ambient lighting system allows the creation of some stunning colour schemes, for example in the illuminated air vents, doors or the instrument panel.

## Burmester® surround sound system.

The high-performance speakers develop first-class surround sound. This can be specifically optimised for the front and rear seats and the audio experience intensified. A level of quality that is also visible, thanks to the high-quality Burmester lettering.

## MULTIBEAM LED.

For perfect visibility: the adaptive MULTIBEAM LED headlamps react with individually controllable LEDs to the traffic situation. Partial main beam masks out other road users without dazzling them. The cornering and active light functions also illuminate the field of vision optimally, allowing faster identification of hazards.

## Wheels of up to 19 inches in size.

Ready to conquer the roads: the new optionally available 48.26 cm (19-inch) wheels do not only look incredibly good, they also provide for a more full-on, sporty feeling at the wheel.

## Standard equipment and appointments.

You get a lot of CLA even without ticking a single box on the options list. The vehicle shows off its generous side when it comes to the standard specification. Sporty appeal is guaranteed with the diamond radiator grille, LED daytime running lights and light-alloy wheels. Active Brake Assist exemplifies the car's high standard of safety.



## The AMG Line.

With the AMG Line you are making a clear statement in favour of performance, both inside and out. The AMG bodystyling above all, with its special front and rear aprons, takes visual cues from the AMG models. The technical features too, including a lowered, sportily tuned suspension and the Direct-Steer system, serve to intensify the driving experience.



## The Progressive design and equipment line.

The Progressive design and equipment line substantially enhances your car. Added value you can both see and feel. From every perspective the excitement and high-quality engineering associated with a sporty coupé is intensified. This line also opens up the option of other attractive combinations for both inside and out – for example the Leather and Night package.





## Suspension with Adaptive Damping System.

If you so wish, the damping will adapt fully to your driving style and to the road via the suspension settings and can actively support the CLA's driving dynamics.

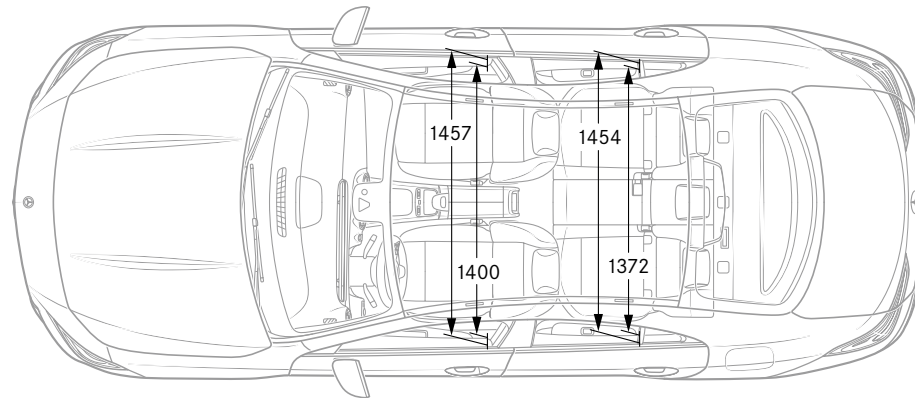
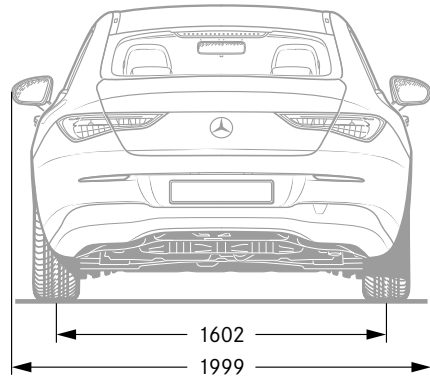
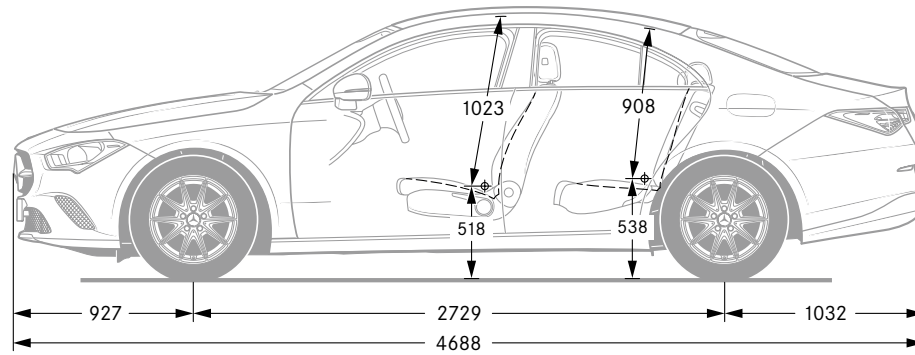
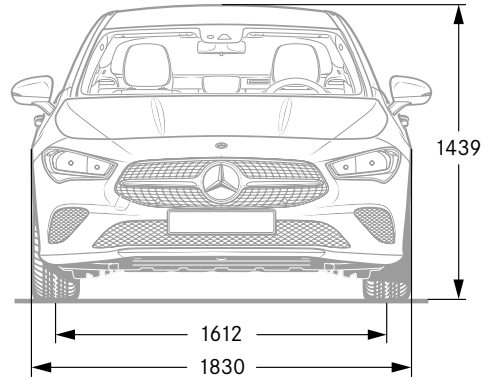
The weight- and noise-optimised components are designed to combine agile handling characteristics, driving safety and comfort as ideally as possible.



## DYNAMIC SELECT.

From a whisper to a roar. The optional suspension with Adaptive Damping System can be adjusted at the touch of a button. There is a choice between the drive programs Eco, Comfort, Sport and Individual.

# Dimensions.



All figures in millimetres. The illustrated dimensions are mean values. They are valid for vehicles in basic specification and in unladen condition.