



May contain equipment that is not available in series production.

THE NEW E-CLASS SALOON

Mercedes-Benz





## EVOLVES WITH YOU.

The new E-Class is the visual embodiment of the link between the legendary E-Class and the Mercedes-EQ electric vehicles. The radiator grille continues to differentiate between the central star and the vertical star, depending on the model. But as of now, the distinctive Black Panel forms the link in every case between the 3D radiator grille and the LED headlamps.



## UNIQUE FROM EVERY PERSPECTIVE.

The dynamic tail end of the new E-Class is a true eyecatcher. In the daytime this is due above all to the powerful design. And at night it's thanks to the two-piece LED rear lamps with their innovative contour. Visually linked in the centre to form a unit, they emphasise the width of the rear section and display an exciting star-look pattern.



## UNMISTAKABLY E-CLASS.

The intuitive operation and innovative features turn this business saloon into your very personal E-Class.



## DIGITAL COCKPIT.

The new MBUX infotainment generation<sup>1</sup> offers numerous new functions and services as well as possibilities for interaction between you and your E-Class. With the optional MBUX Superscreen, two displays merge behind a single glass front – an impressive design element.

<sup>1</sup>Optionally selectable equipment depending on configuration.



## Burmester® 4D surround sound system with Dolby® Atmos and Acoustic Comfort Package.

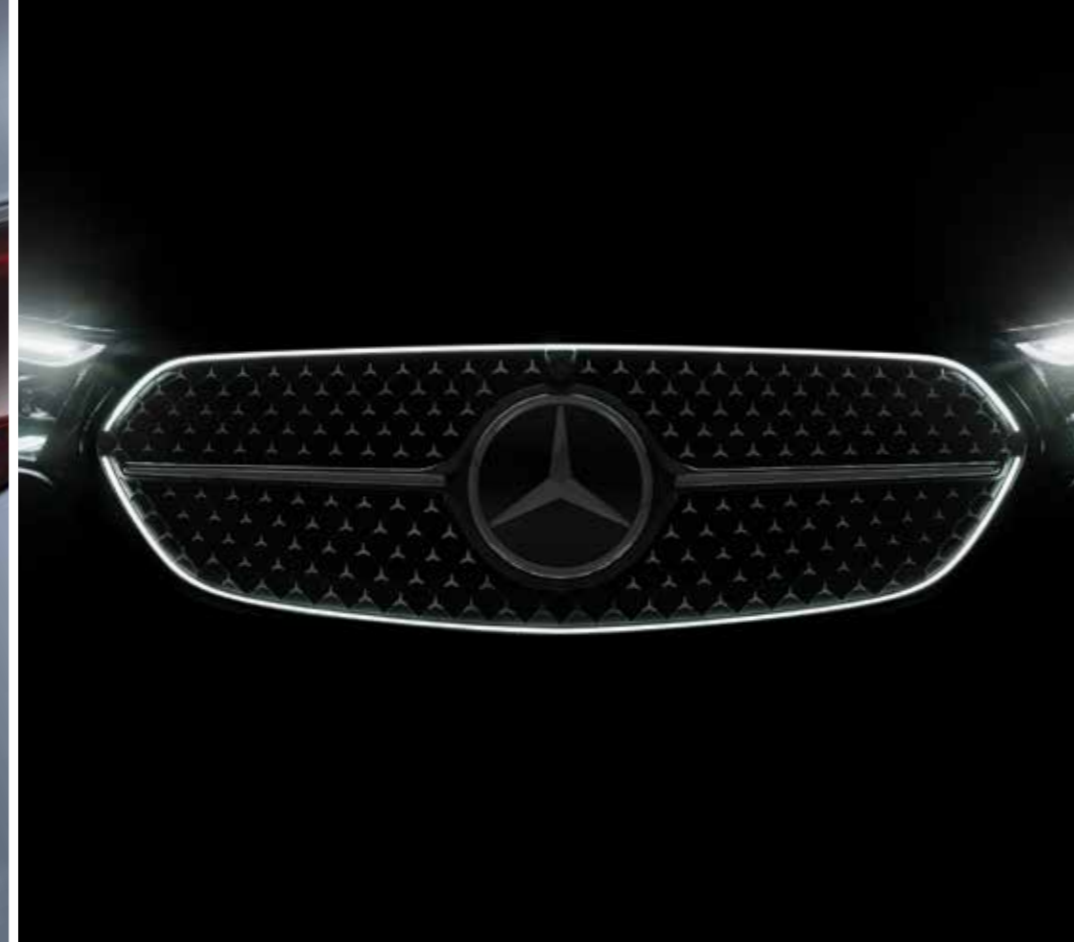
The 17 speakers of the Burmester® 4D surround sound system with Dolby® Atmos<sup>1</sup> let you feel music with all your senses. Thanks to the tactile transducers that are integrated into the front seats, music can be perceived as a completely new 4D sound experience through the whole body. In addition to this the Acoustic Comfort Package<sup>1</sup> ensures a sense of relaxed calm – thanks to optimised noise insulation.

<sup>1</sup>Optionally selectable equipment depending on configuration.



## Comfort highlights in the rear.

Experience inspiration and a sense of wellbeing in the second seat row, too. In addition to the increased legroom, the new E-Class delights with improved elbow and shoulder room. All occupants also benefit from the latest comfort functions.



## Two-piece LED rear lamps.

The two-piece rear lamps are styled in a three-dimensional full-LED design with a visible inner contour. An optional logo projection with an animated star on the inside of the rear lamps communicates a further differentiation. The two-piece design allows for a larger boot lid and a wider load compartment opening.

<sup>1</sup>Optionally selectable equipment depending on configuration.

## Illuminated radiator grille.

The illumination of the contour of the radiator shell<sup>1</sup> gives your E-Class an even more individual look. To illuminate the radiator grille, LED modules and glass optical fibres are used. These are started via dimming, together with the headlamp position lights, when the vehicle is unlocked or locked.

## Rear axle steering with AIRMATIC.

Look forward to tangibly more ride comfort and agility with AIRMATIC air suspension<sup>1</sup> and rear axle steering<sup>1</sup>. The air suspension will impress you with its sporty dynamics or superior comfort: the choice is yours. Thanks to rear axle steering, you benefit from particularly agile or assured handling, depending on the speed, and a smaller turning circle.

<sup>1</sup>Optionally selectable equipment depending on configuration.

## Routines.

Individual comfort perfectly tailored to you: for the first time, following input from the driver, the E-Class saves your driver-specific entertainment and comfort preferences. From the temperature to the seat massage function, everything can be optimised and automatically adjusted to suit you personally.



## MERCEDES-BENZ PATTERN.

The radiator grille on the new E-Class emphasises the sportiness of the AMG Line<sup>1</sup> equipment line with a chrome frame, a louvre with chrome trim elements and a dominant central star. Completed by the black grille in Mercedes-Benz pattern – a three-dimensional star pattern with high-gloss chrome surfaces.

<sup>1</sup>Optionally selectable equipment depending on configuration.





## AVANTGARDE.

The standard AVANTGARDE exterior combines stylish design elements such as chrome accents on the trim strips of the front and rear apron plus stylised air inlet grilles at the front. A progressive, dynamic look is ensured.

### KEY HIGHLIGHTS ON THE EXTERIOR

Radiator grille with central Mercedes star and chrome surround, Mercedes-Benz pattern and trim element on the single louvre

Bonnet with powerdomes

Progressive and dynamic front and rear apron design, each with chrome trim strips, and with stylised air inlet grilles at the front

Beltline and window line trim bar in chrome

Obsidian black metallic paintwork

### KEY HIGHLIGHTS IN THE INTERIOR

Multifunction steering wheel in nappa leather with high-gloss black spokes, silver chrome surround and galvanised steering wheel gearshift paddles in silver chrome

Partially-electric comfort seats with Seat Comfort Package, lumbar support and seat covers in black ARTICO man-made leather/Ljusdal fabric

Black open-pore ash wood trim

Black open-pore ash wood centre console

Neva grey fabric roof liner

Velour floor mats

## EXCLUSIVE.

With the EXCLUSIVE exterior you combine the traditional and the modern. The upright Mercedes star on the bonnet gives your vehicle a noble appearance, as does the classic radiator shell with three horizontal twin louvres. Additional trim elements in chrome add expressive contrasts.

### KEY HIGHLIGHTS ON THE EXTERIOR<sup>1</sup>

Radiator grille with chrome surround and trim elements on the three twin louvres

Bonnet with powerdomes and upright Mercedes star

Classic, elegant front and rear apron design, each with extended chrome trim elements

Chrome trim inserts in the longitudinal member

Beltline and window line trim bar in chrome

Obsidian black metallic paintwork

### KEY HIGHLIGHTS IN THE INTERIOR<sup>1</sup>

Multifunction steering wheel in nappa leather with high-gloss black spokes, silver chrome surround and galvanised steering wheel gearshift paddles in silver chrome

Partially-electric comfort seats with Seat Comfort Package, lumbar support and seat covers in black ARTICO man-made leather

Instrument cluster and beltlines in ARTICO man-made nappa-look leather with topstitching

Brown open-pore maple wood trim aluminium lines

Brown open-pore maple wood centre console aluminium lines

<sup>1</sup>Optionally selectable equipment depending on configuration.



## AMG Line.

The features of the powerful styling of the AMG Line Exterior include the AMG front apron in an A-wing design and the diffuser-look rear apron. 19-inch AMG light-alloy wheels underscore the athleticism of your vehicle even while it is standing still, allowing you to demonstrate your passion for expressive design.

### KEY HIGHLIGHTS ON THE EXTERIOR<sup>1</sup>

Radiator grille with central Mercedes star and chrome surround, Mercedes-Benz pattern and trim elements on the single louvre

Bonnet with powerdomes

AMG front apron in A-wing design, including large air inlet grilles and front splitter as well as chrome trim strips at the front

Chrome trim inserts in the longitudinal member

AMG rear apron, including diffuser look in black and trapezoidal tailpipe trims in chrome

48.3 cm (19-inch) AMG 5-twin-spoke light-alloy wheels

### KEY HIGHLIGHTS IN THE INTERIOR<sup>1</sup>

Multifunction steering wheel in nappa leather with high-gloss black spokes, silver chrome surround and galvanised steering wheel gearshift paddles in silver chrome

Partially-electric comfort seats with Seat Comfort Package, lumbar support and seat covers in black ARTICO man-made leather upholstery

Instrument cluster and beltlines in ARTICO man-made nappa look leather with topstitching

Brown open-pore maple wood trim aluminium lines

Brown open-pore maple wood centre console aluminium lines

<sup>1</sup>Optionally selectable equipment depending on configuration.

## Night Package.

Expressive black design elements enhance your vehicle from the exterior. These include the outside mirror housings and trim strips on the front and rear apron. Tinted windows and black-painted, high-gloss light-alloy wheels complete your sporty, individual look.

### KEY HIGHLIGHTS ON THE EXTERIOR<sup>1</sup>

Radiator grille with trim element on the single louvre in high-gloss black

Trim strips of front and rear apron in high-gloss black

Beltline and window line trim bar in high-gloss black

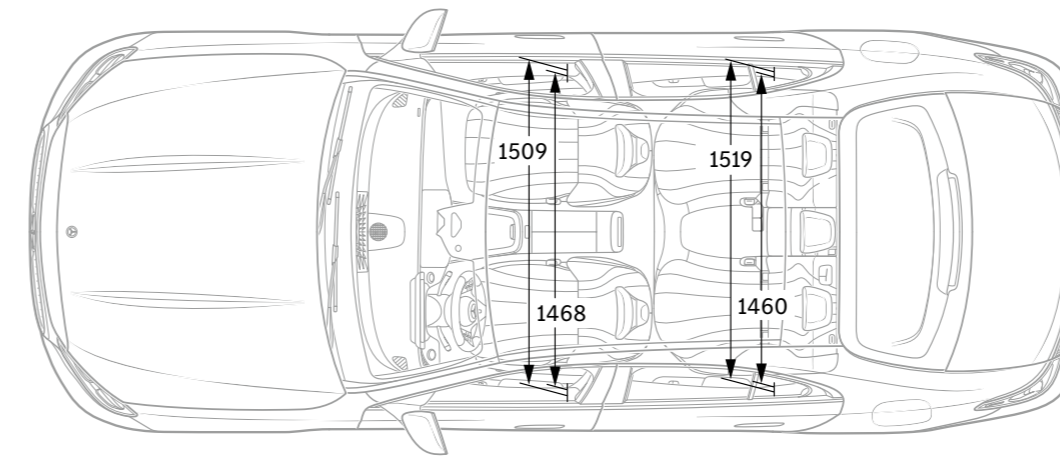
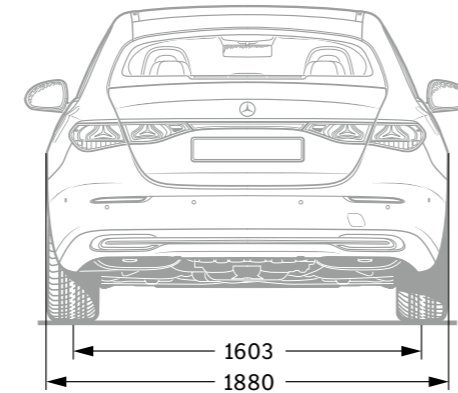
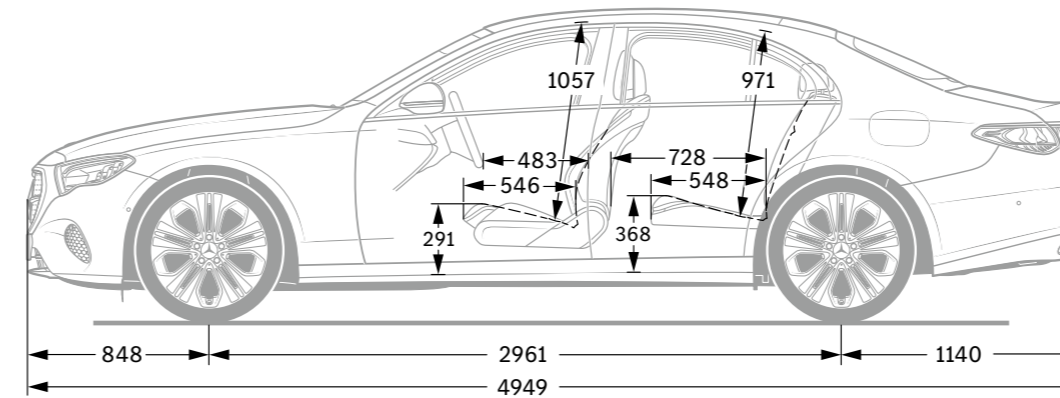
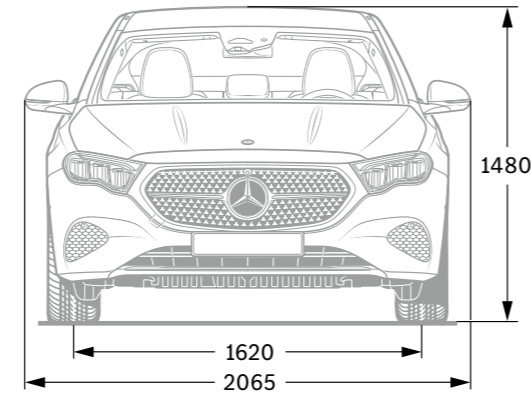
Trim inserts in longitudinal member in high-gloss black, in conjunction with AMG Line Exterior

Outside mirror housings in high-gloss black; in conjunction with obsidian black metallic paintwork painted in the vehicle colour

Heat-insulating dark-tinted glass from the B-pillar back – can optionally be deselected

<sup>1</sup>Optionally selectable equipment depending on configuration.

## Dimensions.



All figures in millimetres. The dimensions shown are mean values. They are valid for vehicles with standard equipment and in unladen condition.