

# The EQA



MERCEDES-EQ



## Athletic. Electric. The new EQA.

The EQA shapes the urban habitat anew: fully electric, with zero local emissions and virtually silent. Thrillingly dynamic and with convenient charging services, the compact electric SUV even brings more distant destinations within easy reach – and arrives relaxed in the electromobile present. Climb in: into the new EQA and the all-electric vehicle world of Mercedes-EQ.





## Expression of a new lifestyle.

At first glance: a true Mercedes-EQ. At second: an electric statement. Its athletic lines confidently underline its unfettered forward thrust and embody progressive luxury. The black panel radiator grille and the striking LED lighting strip point the way to a new direction and shape the hallmark Mercedes-EQ look. The LED High Performance headlamps integrated as standard at the front signal its progressive stance, above all at night.



## Electrifying aesthetics.

Various design lines lend the interior a unique atmosphere and add individual highlights: from dynamic and clear to emotively appealing and elegant. Colours, shapes and materials create a futuristic ambience. The back-lit trim element celebrates the technological progress in an atmospheric way. The Widescreen Cockpit strikingly showcases the latest technology.



## Intelligently networked to your destination.

The Remote and Navigation Services make electric driving convenient and efficient. For instance, you always have an overview of the charging stations in the local area or along a route, as well as the current range. The Navigation with Electric Intelligence automatically schedules in charging stops at available – and wherever possible high-performance – charging stations along the route for you. With the Mercedes me App you also have access outside the vehicle to charging settings and pre-entry climate control.

## Services for a new mobility.

New services and warranties for a carefree mobility: new services have been specially developed for the electric vehicles from Mercedes-EQ, and thanks to these, which are available as of the vehicle purchase, you need worry about as little as possible. A carefree feeling is also created by special warranties, such as the battery certificate with a performance pledge for up to eight years, or up to 160,000 kilometres driven, for the high-voltage battery – the heart of the EQA.





## Perfect for you: The EQA with MBUX.

MBUX stands for Mercedes-Benz User Experience. In short: this is all about you. Via the large display with a touchscreen you can control all the functions intuitively – via touch, but also using gestures or speech with “Hey Mercedes”. The system can also learn and continually adapts to suit the driver’s needs even better. Practical interfaces for the telephony and digital media are facilitated by simple Smartphone Integration and round off the special infotainment experience.

A man in a patterned shirt is plugging a charging cable into a Mercedes-Benz Wallbox. The Wallbox is mounted on a wall and has the Mercedes-Benz logo on it. The scene is lit with a soft, blue and purple glow.

## This is how easy charging can be.

Home becomes a place where you recharge more than just your own batteries. Via the Mercedes-Benz Wallbox with a charging output of up to 11 kW, you charge your EQA up to three times faster than at a conventional socket. So making charging convenient and simple.

A woman in a blue dress is charging a Mercedes-Benz EQA at a public charging station. The car is parked at the station, and the woman is holding the charging cable. The scene is lit with a soft, blue and purple glow.

## Energy to go.

With the EQA and Mercedes me Charge you gain access to one of the largest charging networks around, with public charging stations in cities, at shopping centres, hotels or service stations. Anyone who is in a rush can simply use one of the numerous Ionity fast charging stations via Mercedes me Charge while, with the optional premium service, you can even charge at a discounted price. The one-off registration process allows access to the detailed information from charging stations, including charging rates, along with automated monthly invoicing, across the entire charging network.



A close-up, interior view of a Mercedes-Benz EQA. The driver's side is visible, showing the steering wheel with the Mercedes-Benz logo, the instrument cluster with a speedometer and digital display, and the center console with a gear selector. A red light strip is visible along the edge of the center console. In the side mirror, a cyclist is reflected, and a small red triangle is visible in the bottom left corner of the mirror's frame. The background shows a sunset or sunrise over the ocean.

## Exemplary safety. The new EQA.

The driving assistance systems in the EQA think ahead, have an eye on what is happening in the traffic and can not only relieve the burden on you in day-to-day life, but also provide effective support in hazardous situations. This means that the occupants and other road users can be protected effectively – via the exit warning function, for example, even when you have already reached your destination.



## Extended standard equipment.

The extended standard equipment enhances comfort with the Progressive design and equipment line, including a leather steering wheel and luxury seats, reversing camera and EASY-PACK tailgate. Connectivity and charging services simplify charging and invoicing. All as standard, without any extra charge.

### STANDARD SPECIFICATION

Progressive design and equipment line
Reversing camera
Ambient lighting
EASY-PACK tailgate
Adaptive Highbeam Assist
Speed Limit Assist
Remote and Charging Services Plus
Load Compartment Package

## Advanced Package.

With the Advanced Package you raise your EQA to the next level. In addition to the extended standard equipment, two brilliant 10.25-inch displays in the form of a Widescreen Cockpit enhance the vehicle interior. Further intelligent assistants tangibly increase ride comfort.

### HIGHLIGHTS OF ADVANCED PACKAGE

Widescreen Cockpit, consisting of media display and fully digital instrument display, each with 10.25-inch screen diagonal
Parking Package with reversing camera
Mirror Package
Blind Spot Assist

## Advanced Plus Package.

In addition to the extras of the Advanced Package, the Advanced Plus Package offers further comfort. The high-quality sound system also forms a rich backdrop to the journey, while your smartphone is wirelessly charged.

### HIGHLIGHTS OF ADVANCED PLUS PACKAGE

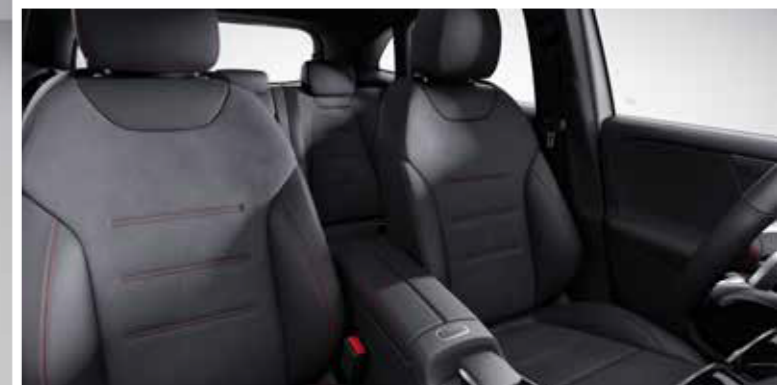
THERMOTRONIC automatic climate control
KEYLESS-GO Convenience Package
Advanced Sound System
Wireless charging system for mobile devices
Widescreen Cockpit, consisting of media display and fully digital instrument display, each with 10.25-inch screen diagonal
Parking Package with reversing camera

## Premium Package.

The Premium Package offers the top level of equipment. It supplements all the previous equipment packages with additional highlights such as the Burmester® surround sound system and the panoramic sliding sunroof. No wish is left unanswered.

### HIGHLIGHTS OF PREMIUM PACKAGE

Panoramic sliding sunroof
Parking Package with 360° camera
Burmester® surround sound system
THERMOTRONIC automatic climate control
KEYLESS-GO Convenience Package
Wireless charging system for mobile devices
Widescreen Cockpit, consisting of media display and fully digital instrument display, each with 10.25-inch screen diagonal



## Progressive design and equipment line.

Its design is as progressive as its claim. In the standard specification, the Progressive design and equipment line adds exclusive highlights: with luxury seats in ARTICO man-made leather and Fléron fabric including Seat Comfort Package, or the leather steering wheel. The exterior shines with features such as roof rails in polished aluminium.

### EXTERIOR HIGHLIGHTS

Roof rails in polished aluminium

45.7 cm (18-inch) 5-spoke light-alloy wheels

Front and rear apron with chrome insert

Shoulderline and windowline trim elements in polished aluminium

### INTERIOR HIGHLIGHTS

Luxury seats including Seat Comfort Package

Upholstery in ARTICO man-made leather, black Fléron fabric with mid-grey double topstitching

Multifunction sports steering wheel in leather with black topstitching and 2-part chromed trim

Air vents in silver chrome with outer ring in silver chrome and air guide ring in high-gloss black

Side trim in grained black with chromed insert

## AMG Line.

Confidently shows what it's made of: the EQA with AMG Line. On the outside, features such as the AMG-specific front apron and the AMG-specific black panel radiator grille reinforce the strong forward thrust. On the inside the sports seats and the multifunction sports steering wheel make it clear that standing still is not an option.

### EXTERIOR HIGHLIGHTS

AMG-specific front apron with trim elements in chrome as well as functional AIR CURTAINS

AMG-specific black panel radiator grille in twin-blade design and with surround in high-gloss black

AMG rear apron in diffuser look with trim part in chrome

45.7 cm (18-inch) AMG 5-twin-spoke light-alloy wheels, aerodynamically optimised, painted in high-gloss black with a high-sheen finish

Side trim in grained black with chromed insert

### INTERIOR HIGHLIGHTS

Sports seats with adjustable head restraint including Seat Comfort Package

Upholstery in black ARTICO man-made leather/DINAMICA microfibre with red contrasting topstitching

3-spoke multifunction sports steering wheel in nappa leather, with flattened bottom section, with perforation in the grip area and Touch Control buttons

AMG brushed stainless steel pedal assembly with rubber studs

Air vents in silver chrome with outer ring in silver chrome and air guide ring in high-gloss black



## Electric Art.

Masterfully showcases electromobility: the Electric Art interior. Colour highlights in contemporary rosé gold in the air vents and the upholstery, which consists partially of recycled materials, ensure unique aesthetics in the vehicle interior. The back-lit trim element creates a futuristic atmosphere.

### INTERIOR HIGHLIGHTS

Upholstery in ARTICO man-made leather/Cupertino fabric in two-tone rosé gold/titanium grey pearl

Spiral-look trim element, back-lit

Air vents in rosé gold with outer ring in silver chrome and air guide ring in high-gloss grey

3-spoke multifunction sports steering wheel in nappa leather, with flattened bottom section, with perforation in the grip area and Touch Control buttons

Door sills with illuminated, model series-specific lettering in blue

1 vehicle key in black with trim element in chrome and 1 vehicle key in black with trim element in rosé gold

## Edition 1.

The unique Edition 1, available for a limited time, combines elements of the Night Package with elements of the AMG bodystyling. The exterior has a sporty look with AMG-specific equipment features. In the vehicle interior the back-lit trim part and blue topstitching in seats and doors add clear highlights.

### EXTERIOR HIGHLIGHTS

AMG-specific front apron with trim elements in high-gloss black as well as functional AIR CURTAINS

AMG-specific black panel radiator grille in twin-blade design and with surround in high-gloss black

AMG-specific rear apron in diffuser look with trim part in high-gloss black

50.8 cm (20-inch) AMG multi-spoke light-alloy wheels in rosé gold

Side trim in grained black with insert in high-gloss black

### INTERIOR HIGHLIGHTS

Upholstery in neva grey leather with CYBER CUT blue

Armrest in ARTICO man-made leather black with blue topstitching

Widescreen Cockpit, consisting of media display and fully digital instrument display, each with 10.25-inch screen diagonal

3-spoke multifunction sports steering wheel in nappa leather, with flattened bottom section, with perforation in the grip area and Touch Control buttons

Trim element back-lit



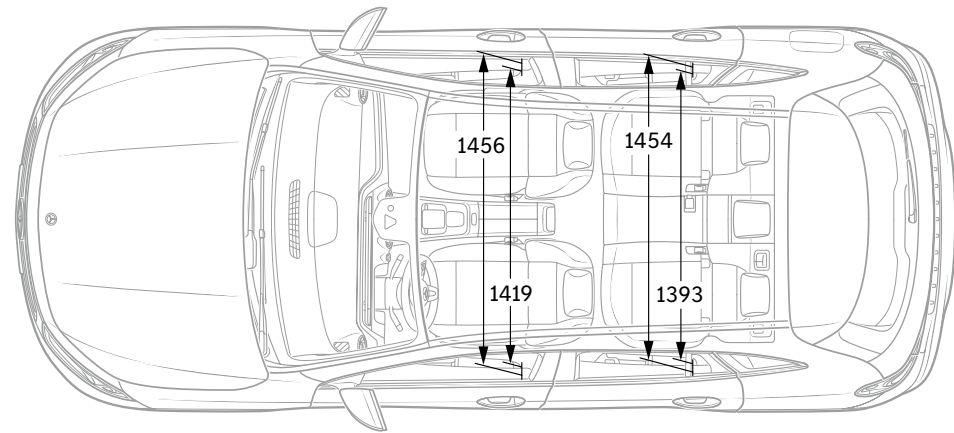
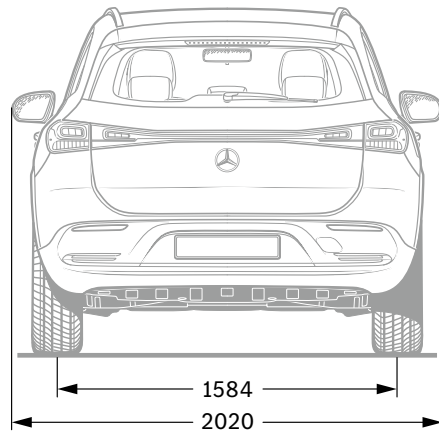
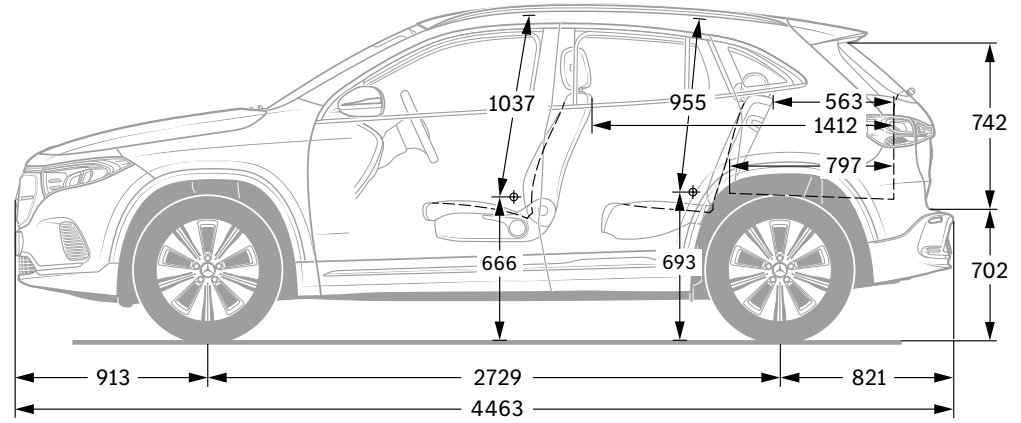
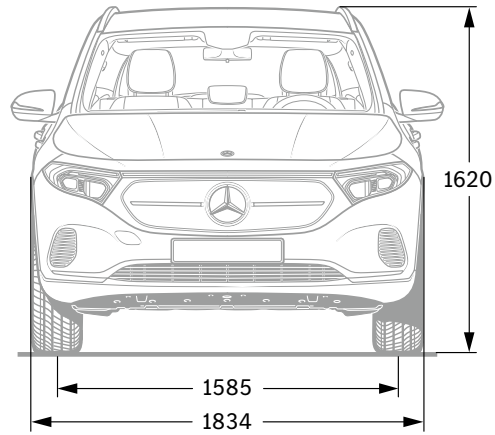
## Electric drivetrain.

Efficiently electric: the drive technology of the EQA offers impressive power delivery for more efficiency, safety, comfort and driving pleasure – hallmark Mercedes-EQ. The electric drivetrain (eATS) with an asynchronous motor and integrated parking lock sits on the front axle in the case of the EQA250. From there it puts an effortlessly superior system output of 140 kW on the road. The full torque is already available with the first touch of the accelerator pedal, without the slightest feeling of a moment's hesitation during acceleration. Further model variants with higher output levels and all-wheel drive are already being planned. Furthermore the EQA with DYNAMIC SELECT supports you through various drive programs with different characteristics – from efficient to sporty for more driving pleasure in bends and comfort on long journeys.

## Driving Assistance Package.

A further step towards fully automated driving. The Driving Assistance Package sets new standards where safety and ride comfort are concerned. Cameras, radar and ultrasound record the surroundings and provide situation-appropriate support for speed adjustment, steering and when there is the danger of a collision. To supplement this, various data from maps, navigation system and Live Traffic Information are used to assess routes and traffic in real time. All information is intelligently networked. For you this means tangible relief and optimum protection for occupants and other road users.

# Dimensions.



All figures in millimetres. The pictured dimensions are mean values. They are valid for vehicles with standard equipment and in unladen condition.