

A surreal advertisement for the Mercedes-Benz EQE. The scene is set against a vibrant teal background with a bright light source from the top left, creating a lens flare. A white EQE sedan is shown in profile, floating in the air. Below it, a woman in a shiny, metallic, futuristic outfit is walking on a reflective surface that mirrors the car and her. The overall aesthetic is futuristic and ethereal.

EQE  
THIS IS FOR  
ALL SENSES.



# THIS IS FOR ALL SENSES.

From the iconic one-bow design to the innovative MBUX Hyperscreen: the new EQE combines sensuous aesthetics with pioneering engineering artistry at the highest level. Experience a new, luxurious era of electric mobility.





## LUXURY FROM ANY ANGLE.

Even at first glance it is clear: the EQE embodies a new era. The main characteristic feature is the striking one-bow design – a coupé-like shoulder line that flows sweepingly from the rear to the front, emphasising hallmark EQ features such as the three-dimensional Mercedes-Benz pattern on the front.



THE DIGITAL COCKPIT WITH FUTURISTIC  
MBUX HYPERSCREEN.

The MBUX Hyperscreen is the highlight in the cockpit of the all-electric EQE: behind a curved panel in real glass are three OLED displays that can be intuitively operated and which deliver innovation and brilliance across the full width of the vehicle interior.



## NEW FRONT END WITH STAR PATTERN.

The distinctive front section in Mercedes-EQ Design is characterised by a deep black radiator grille (Black Panel) and innovative headlamps. The optional star pattern in a creative three-dimensional design is integrated into the radiator grille as a visual highlight.

# EXCELLENT RANGE. ZERO EMISSIONS.

Carefree travelling in the new EQE: thanks to high ranges,  
short charging times and zero local emissions.



# ELECTRIC MOBILITY FOR ALL SENSES.

Driving with all senses: sounds that respond dynamically to the way you drive, a sensuous mix of materials and fragancing in the interior ensure that the time you spend in the new EQE is always highly enjoyable.

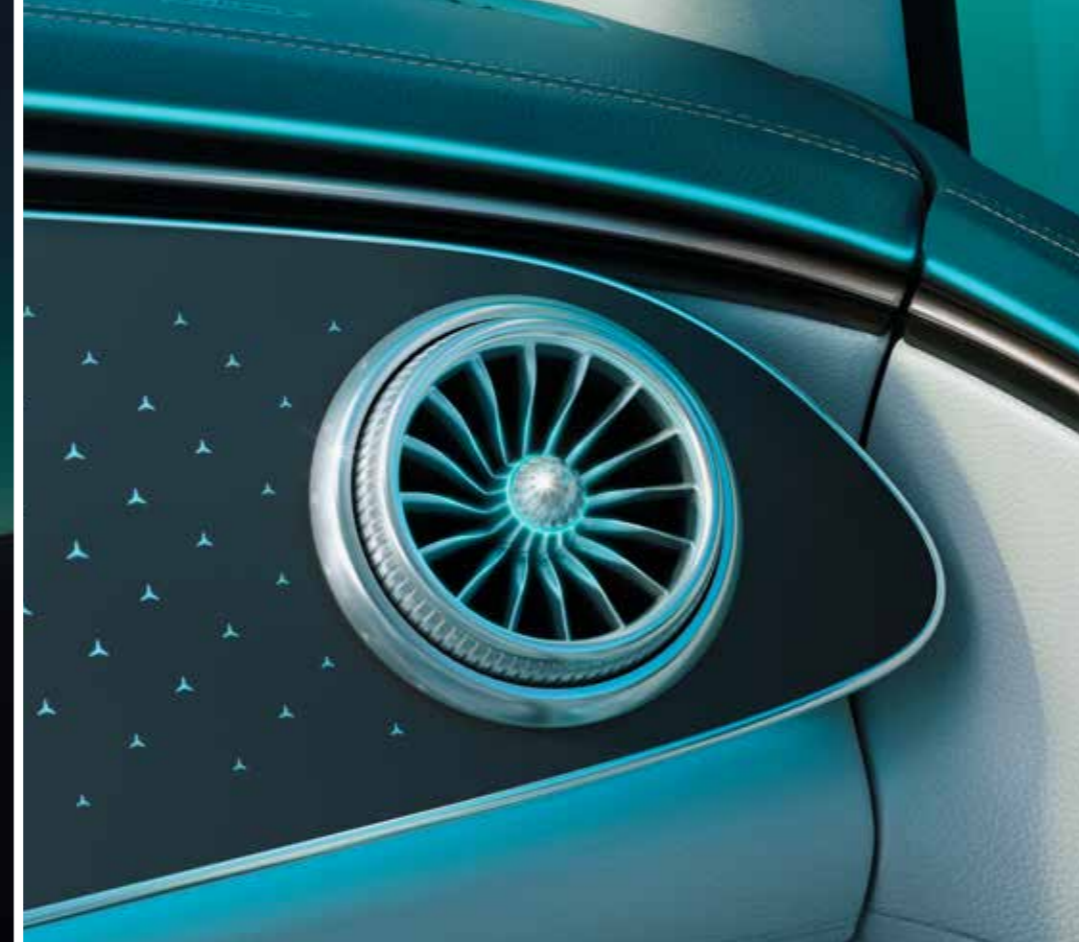


The image shows the interior of a car, focusing on the front seats. The seats are white with a perforated pattern, designed for ventilation and massage. The car's interior is illuminated with a soft, teal-colored light, creating a serene and modern atmosphere. The background is a blurred view of a landscape, also tinted with the same teal color. The overall aesthetic is clean, minimalist, and high-tech.

## PERFECT RESTRAINT.

Eight air chambers and four vibration elements ensure outstanding comfort in the multicontour seats. Ten massage programs in two intensities turn every ride into a wellness session.





### Flush-fitting door handles.

Seamless design perfected: the flush-fitted door handles are seamlessly integrated into the vehicle body and round off the elegant appearance of your Mercedes. The handles extend automatically if you are in the immediate vicinity of the vehicle as you unlock it. As soon as you lock the vehicle or drive off, the handles retract again.

### Air filter system with HEPA filter.

With a filter efficiency of up to 99.65%, the new HEPA (High Efficiency Particulate Air) fine dust filter can clean the incoming air of the smallest particles such as pollen and fine dust particles and neutralise unpleasant odours.

### Active ambient lighting.

With the active ambient lighting, you are experiencing a technological leap. It combines aesthetics with innovative driver information and extended functions. Light strips and trim elements all the way round meld to form an additional level of lighting. This also supports driving assistance systems visually and thus emphasises the intelligence of your vehicle.

### Digital light.

Intelligent foresight: the optional DIGITAL LIGHT headlamp technology with a projection function in the new EQE from Mercedes-EQ complements the MULTIBEAM LED headlamps with their high-resolution lighting technology. The light acts in an anticipatory manner, adapting to the course of the road and the traffic situation.



## MBUX Hyperscreen.

Enhance your interior with an impressive design feature. As if cast from a single mould, three displays blend seamlessly together behind a glass panel to create one large Hyperscreen. Brilliant OLED technology enhances the display comfort, while the haptic feedback helps to simplify input on the touchscreen.



## Burmester® surround sound system.

Experience enhanced audio performance with exquisite Burmester® sound. The high-quality speakers develop an impressive level of surround sound. You can specifically optimise this for the front and rear seats to intensify the listening experience. The specially designed Sound Experience in the vehicle interior also reinforces the electric driving feel.

## AMG Line.

With the expressive styling of the AMG Line, you can lend the exterior of your EQE a fascinatingly dynamic touch. It transposes sporty AMG genes into the electric business class – for example with the AMG-specific front apron and AMG light-alloy wheels.



## Electric Art exterior.

With the Electric Art exterior you impressively underscore the progressive character of your EQE: at the front and rear apron, trim elements in chrome add expressively elegant highlights. In combination with the 19-inch light-alloy wheels, they give the car a commanding presence.



## Electric Art interior.

With the Electric Art interior you experience progressive luxury with all the senses. For the seat covers, for example, there are high-quality materials such as leather and nappa leather to choose from. The ambient lighting as well as the back-lit trim element with Mercedes-Benz pattern create a futuristic lounge ambience.

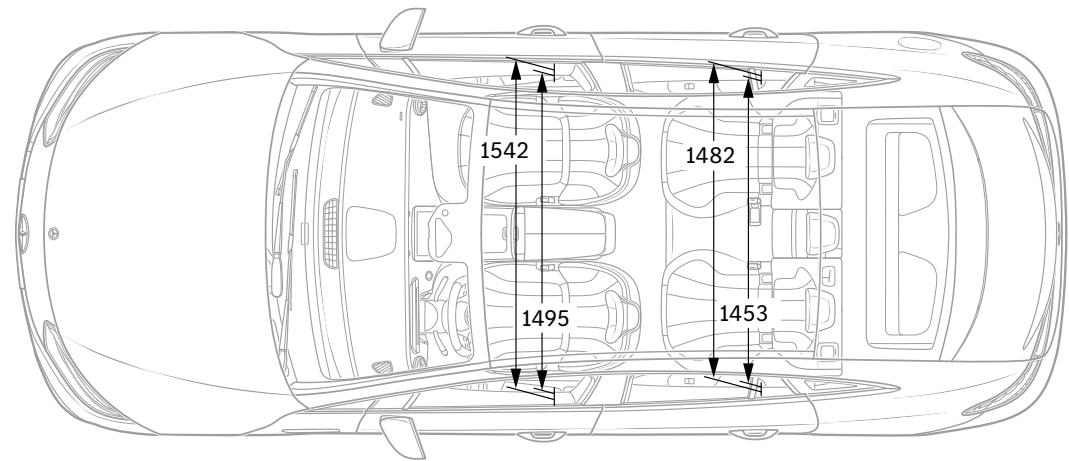
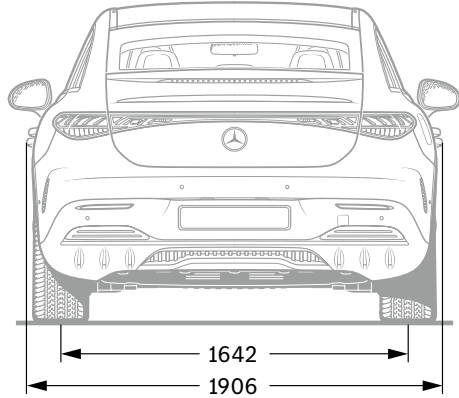
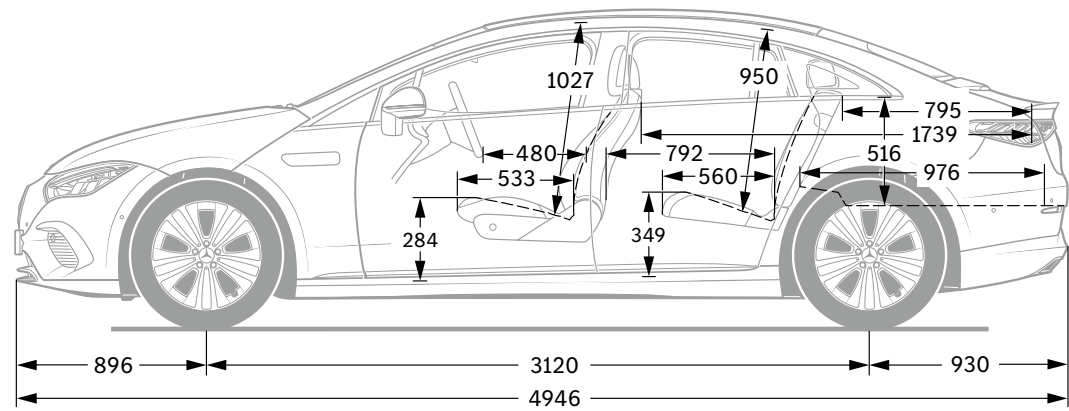
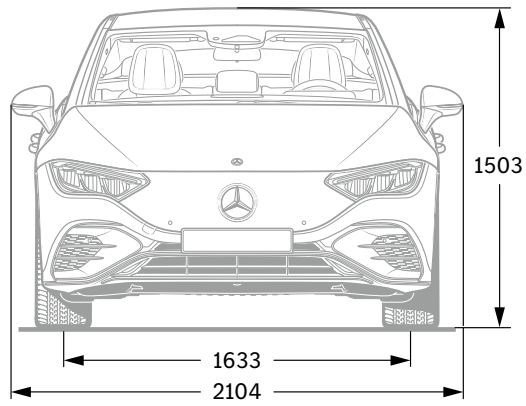


## Edition 1.

Show that you are a stylish pioneer of a new business avant-garde: on the outside, the AMG Line and 21-inch wheels sportily enhance your EQE. On the inside, the progressive design of the Electric Art interior shines out in an exclusive colour mix of neva grey and reflex blue. Exclusive "Edition 1" lettering adorns the wings and door sill panels, for example.



# Dimensions.



All figures in millimetres. The dimensions shown are mean values. They are valid for vehicles with standard equipment and in unladen condition.